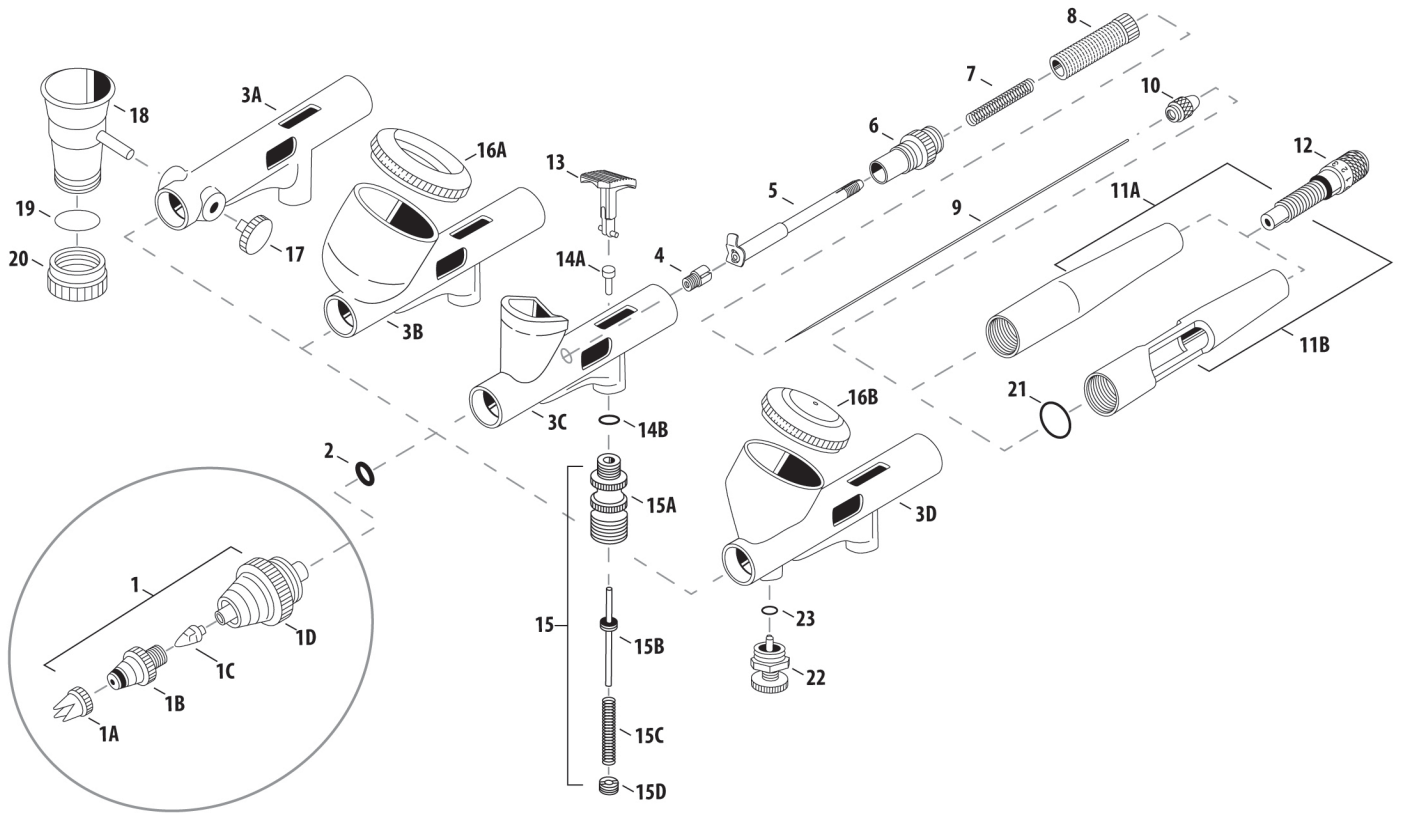



IWATA CUSTOM MICRON SERIES (VERSION 2)



#	ITEM DESCRIPTION	PRICE CODE	ITEM #	CM-B	CM-SB	CM-C	CM-C+	ALSO FITS
1	Fluid Head System	0.18 mm	L 1535 1	■	■	OPT	OPT	All CM
		0.23 mm	L 1535 2	OPT	OPT	■	■	All CM
1A	Fluid Head Needle Crown Cap	D	1535 1D	■	■	■	■	All CM
1B	Fluid Head Nozzle Cap	0.18 mm	G 1535 1C	■	■	OPT	OPT	All CM
		0.23 mm	G 1535 2C	OPT	OPT	■	■	All CM
1C	Fluid Head Nozzle	0.18 mm	H 1535 1B	■	■	OPT	OPT	All CM
		0.23 mm	H 1535 2B	OPT	OPT	■	■	All CM
1D	Fluid Head Nozzle Base	J	1535 1A	■	■	■	■	All CM
2	Fluid Head O-ring	C	1580 2	■	■	■	■	All CM
3A	CM-SB Body*	-	N/A	x	■	x	x	
3B	CM-C Body*	-	N/A	x	x	■	x	
3C	CM-B Body*	-	N/A	■	x	x	x	
3D	CM-C Plus Body*	-	N/A	x	x	x	■	
4	Fluid Needle Packing Set (PTFE)	D	1590 2	■	■	■	■	All CM
5	Needle Chucking Guide With Auxiliary Lever	C	1115 7	■	■	■	■	
6	Spring Guide	C	1590 3	■	■	■	■	
7	Needle Spring	B	1570 1	■	■	■	■	All CM
8	Needle Spring Adjuster	E	1575 1	■	■	■	■	All CM
9	Fluid Needle	0.18 mm	E 1540 4	■	■	x	x	
		0.18 mm	E 1540 5	x	x	x	OPT	OPT FOR V2 ONLY
		0.23 mm	E 1540 2	x	x	■	x	CM-C (OG) CM-B (OG) CM-SB (OG)
		0.23 mm	E 1540 3	x	x	x	■	CM-C+ (OG)
10	Needle Chucking Nut	B	1560 1	■	■	■	■	All CM
11A	Preset Handle With Crown Cap Dock	H	1585 5	■	■	■	OPT	
11B	Preset Cutaway Handle With Crown Cap Dock	H	1585 4	OPT	OPT	OPT	■	

#	ITEM DESCRIPTION	PRICE CODE	ITEM #	CM-B	CM-SB	CM-C	CM-C+	ALSO FITS
12	Preset With Crown Cap Dock	E	1586 1	■	■	■	■	All CM
13	Ergonomic Main Lever	D	1545 4	■	■	■	■	All CM
14A	Air Piston	B	1500 1	■	■	■	■	All CM
14B	Air Valve O-ring (2pcs)	B	1580 1	■	■	■	■	All CM
15	 Air Valve Set	H	1510 1	■	■	■	■	All CM
15A	Air Valve Body	F	1510 2	■	■	■	■	All CM
15B	Air Valve	C	1505 1	■	■	■	■	All CM
15C	Air Valve Spring	B	1510 4	■	■	■	■	All CM
15D	 Air Valve Guide	B	1510 3	■	■	■	■	All CM
16A	Fluid Cup Lid	E	1530 1	x	x	■	OPT	All CM
16B	Fluid Cup Lid	E	1618 1	x	x	OPT	■	All CM
17	Blanking Cover	B	1045 2	x	■	x	x	All CM
18	Fluid Cup	1/8 oz	G 1070 3	x	■	x	x	All CM
		1/4 oz	G 1070 4	x	■	x	x	All CM
19	Packing Lower Lid (Gasket)	A	1150 5	x	■	x	x	All CM
20	Lower Lid	1/8 oz	B 1095 6	x	■	x	x	All CM
		1/4 oz	C 1095 7	x	■	x	x	All CM
21	Handle O-ring	A	1605 1	x	x	x	■	All CM
22	Micro Air Control (MAC) Valve	D	1190 1	x	x	x	■	All CM
23	MAC Valve O-ring	A	1190 2	x	x	x	■	All CM
	Spanner (Nozzle Wrench)	B	1165 1	■	■	■	■	All CM
	Quick Fit Set (QD and Adaptor)	H	1160 3	OPT	OPT	OPT	OPT	All CM
	Quick Fit Adaptor (Adaptor Only)	C	1160 4	OPT	OPT	OPT	OPT	All CM
	Adaptor (Iwata Airbrushes to Paasche Airhose)		J 001	OPT	OPT	OPT	OPT	All CM
	Adaptor (Iwata Airbrushes to T & C/Badger Airhoses)		J 002	OPT	OPT	OPT	OPT	All CM

 **CALIFORNIA PROP 65 WARNING:** Certain products identified with this symbol and offered for sale in this catalog contain lead, a chemical known to the State of California to cause cancer, birth defects and other reproductive harm.

■ = yes X = no OPT = optional
*Replacement parts not available.